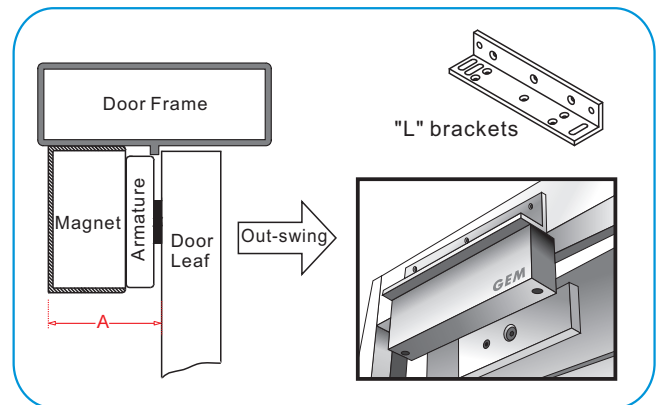
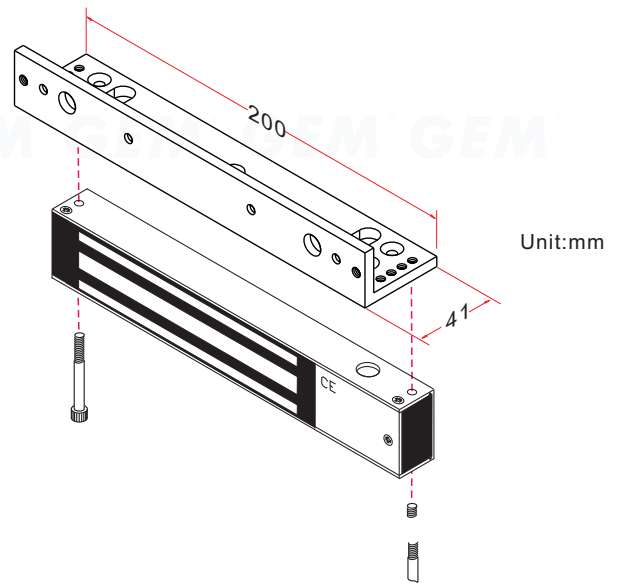


The A value in the table below shows the minimum requirement distance of the door frame for different electromagnetic lock model.

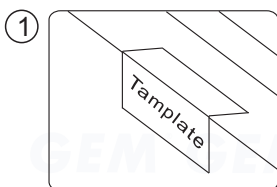
Magnet Grade	A Value	Optional Brackets
● 300 LBS	38mm	L-150, L-EM150...
600 LBS	42mm	L-300, L-10001ST...
800LBS	48mm	L-750, L-350, L-400...
1200 LBS	60mm	L-500, L-600...



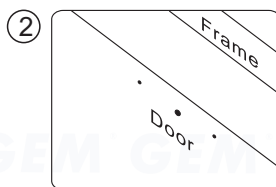
Application for the Electromagnet:  
EM-150



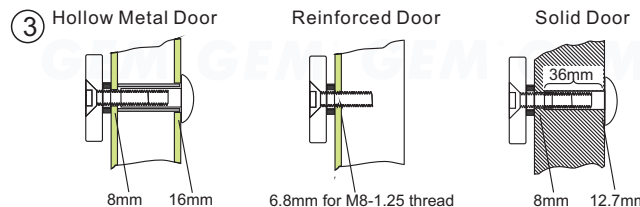
### Installation of L bracket on Out-swing Doors



1 Fold the mounting template 90° angle along the dotted line.



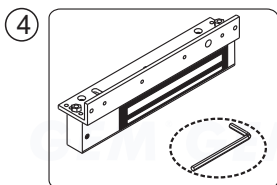
2 Drill the holes marked on the template.



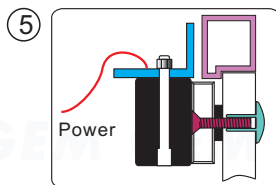
3 Hollow Metal Door  
Drill a hole 8 mm in diameter through the door. Enlarge the hole to 16 mm from outside.

Reinforced Door  
Drill a hole 6.8 mm in diameter from inside. Screw with a M8-1.25 thread.

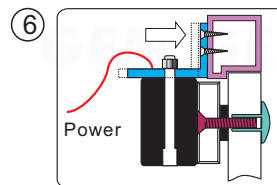
Solid Door  
Drill a hole 8 mm in diameter through the door. Enlarge the hole to 12.7 mm from outside. The thickness of the door is 36 mm.



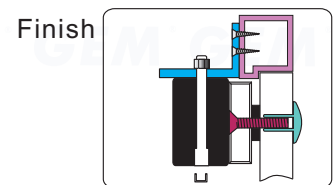
4 Assemble the electromagnet and L bracket with an Allen wrench.



5 Turn on the power of electromagnet. Let the electromagnet and the armature plate bond together. Press L bracket against the door frame.



6 Fasten L bracket on the door frame.



7 Finish  
Test the unit. Tap the plugs into the electromagnet